

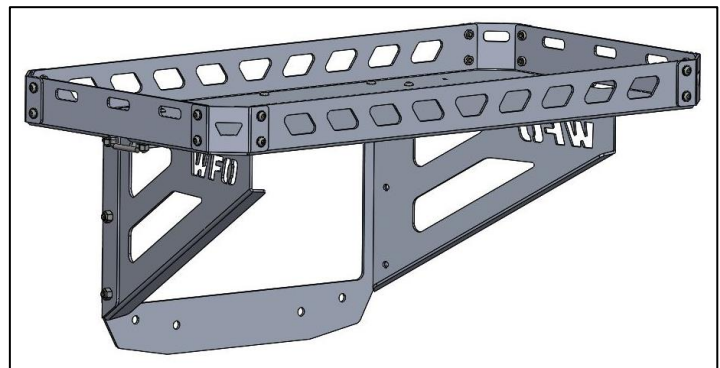


Part #	Description
WFO 8104	18+ Jeep JL Tailgate Ice Chest Mount Without License Plate Mount

10076 Streater Road Suite #7, Auburn, CA 95602
 Phone: 530.268.9494 www.wfoconcepts.com

WFO 8104

BILL OF MATERIALS		
WFO 1401	30-3/4" x 16" Aluminum Basket	Qty. 1
WMA-31202	3-piece Tailgate Mount Assembly	Qty. 1
33-6208	1/4"-20 x 1/2" SS Button Head Bolts	Qty. 16
33-6210	1/4"-20 x 5/8" SS Button Head Bolts	Qty. 7
33-6212	1/4"-20 x 3/4" SS Button Head Bolts	Qty. 4
33-23640	1/4"-20 SS Nylock Nut w/ Wax	Qty. 11
33-3041	1/4" SS Flat Washers	Qty. 16
8030T16	Strap Hold Down Mount	Qty. 2
33-6230	5/16"-18 x 3/4" SS Button Head Bolts	Qty. 6
33-3051	5/16" SS Flat Washer	Qty. 6
33-23650	5/16"-18 SS Nylock Nut w/ Wax	Qty. 6
TOOLS NEEDED		
5/32" & 3/16" Allen Socket		
3/8" Drive Ratchet		
7/16" & 1/2" Wrench		
Torx Bits: T-8, T-25, T-40		
13mm Sockets		
Flathead screwdriver or small pry bar		
Wire crimping tools		
Anti-Seize		



WARNING!

*** Read all instructions thoroughly from start to finish before beginning the job! If these instructions are not properly followed, severe frame, suspension, tire, or body damage may result to the vehicle!

*** WFO Concepts recommends that you exercise extreme caution when working under vehicles supported by jack stands.

*** WFO Concepts recommends all installation to be performed by a professional shop/service technician. Product failure due to improper installation will not be covered under WFO's warranty policy.

TECH NOTES:

- This kit replaces the spare tire mount on the tailgate. There are no provisions for a 3rd brake light and/or rear camera mount. You will need to either purchase WFO 8100-A, our license plate relocation mount with 3rd brake light and rear camera mounts, or use another company's mount. Note that not everyone's license plate mounts work with our ice chest mount, some modifications will probably be needed.
- Whenever installing Stainless Steel Hardware it's a good idea to use Anti Seize to preventing galling of the threads.

REMOVAL:

1. If your tailgate and spare tire mount is in stock configuration, continue to follow the next steps. If your spare tire mount, camera, and 3rd brake light has already been relocated and/or deleted, then skip to step 10.
2. Remove outer camera cover using a T-40 Torx so you can access the lug nut that is behind this cover.
3. Remove the spare tire.
4. Open tailgate and remove the inner plastic trim by gently popping it off. Be careful not to break the plastic retainers that hold this cover to the inner part of the tailgate.
5. Unplug the top 2 smaller electrical plugs (Figure A). Then pull the two wires out through the hole just left of the vent on the outside of the tailgate (Figure B). Make sure the grommet stays connected to the wire loom, you will be re-installing the grommet back in this original hole.

Fig. A



Fig. B



6. Remove stock plastic spare tire carrier. Using a 13mm socket, remove the 8 bolts on the outside perimeter of the stock plastic spare tire carrier (Figure C). **SAVE THESE BOLTS**, you will reuse them.

Fig. C



7. Remove the 2 bolts, T-25, on either side of the camera mount (Figure D). This will allow you to remove the bracket from the inside of the spare tire mount. Flip over and gently pry the bracket up from the inside out. (Figure E)

Fig. D

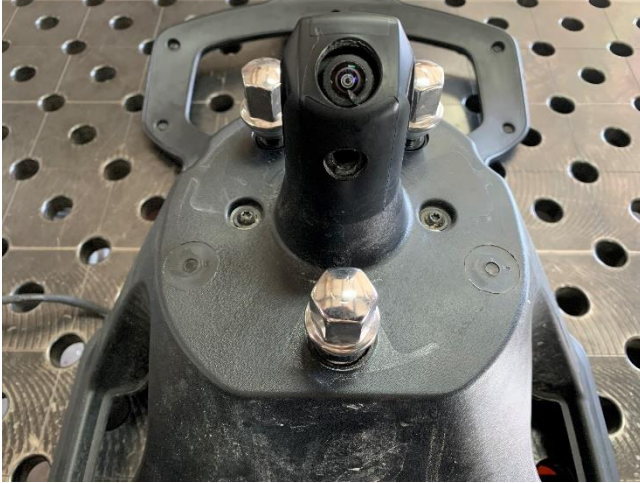


Fig. E



8. To get the harness completely removed, unscrew the 3 small screws that mount the camera using a T8-bit driver (Figure F). Un clip the camera (Figure G) and slip the loom out of all the brackets. Discard tire rack and camera mount, you will not need these anymore.

Fig. F



Fig. G



9. Next you will need to remove the third brake light wire harness. Using a T-25, remove the 7 bolts that surround the outside to remove the cover (Figure H-1). Once cover is removed, unplug harness from the 3rd brake light and remove from bracket. (Figure H-2)

Fig H-1



Fig H-2



ASSEMBLY:

Refer to the instruction sheet that comes with WFO 1401 – 30-3/4" x 16" Aluminum Basket for assembly before moving on

10. Assemble the Driverside support wing to the inside of the main tailgate plate. Insert a 5/16" bolt and washer from the inside out (Figure I). Use supplied nylock nut on the outside of the plates (Figure J).

Fig. I

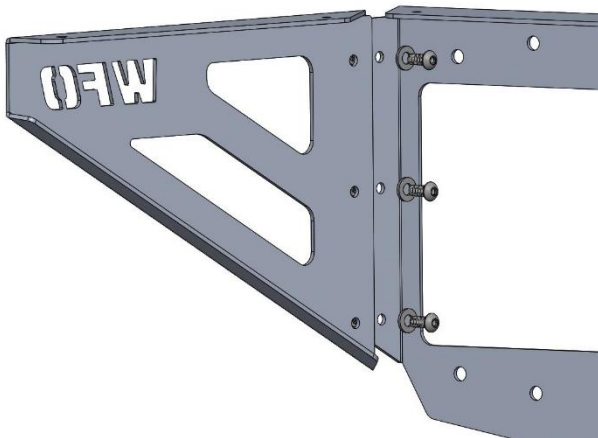
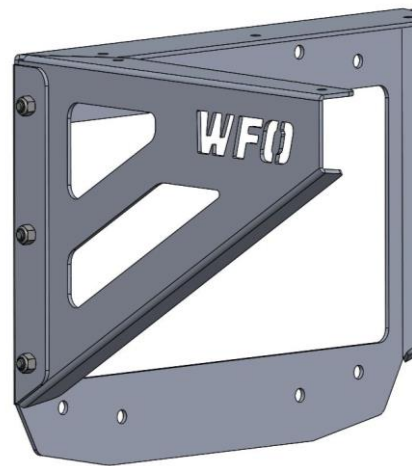
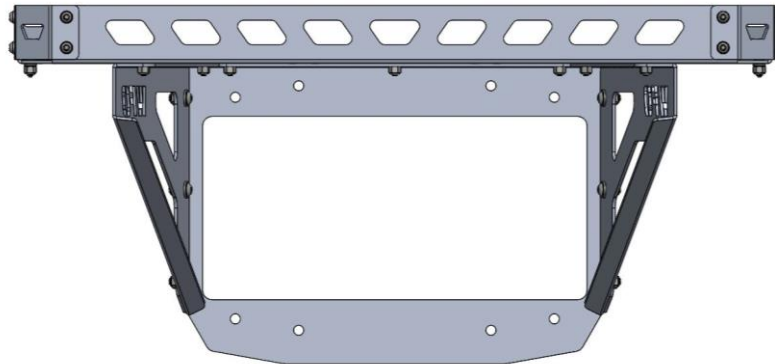


Fig. J



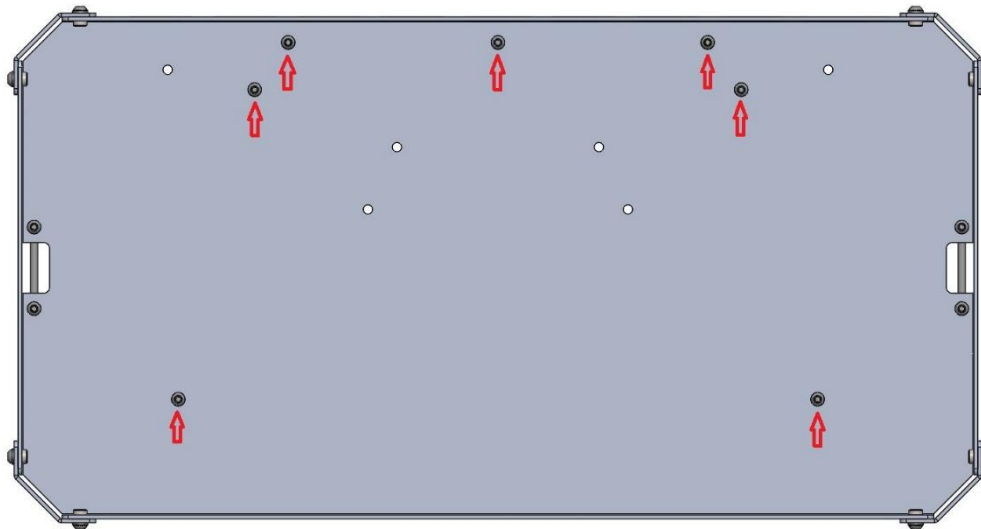
11. Once the 3-piece tailgate mount is assembled, locate the qty. 8 previously removed tailgate bolts. Center the mount over the tailgate vent and bolt on. (Figure K).

Fig. K



12. Next place the previously assembled WFO 1401 Basket on top of support wings. Locate the Qty. (7) $\frac{1}{4}$ "-20 x $\frac{5}{8}$ " allen bolts and nylock nuts. There are 13 pre drilled holes in the floor of the basket, see Figure L below on the qty. 7 holes you will be using. Place a $\frac{1}{4}$ " bolt from the top down while using the $\frac{1}{4}$ " nylock nut from the bottom side. Start in the middle and work your way out, moving the wings around till the holes line up. Wait to final tighten all the bolts once all 7 are installed.

Fig. L



13. Finally reference the Install portion of the WFO 8100-A to re mount your license plate or use any previously installed or new aftermarket license plate relocation kit.



10076 Streeter Road Suite #7, Auburn, CA 95602
Phone: 530.268.9494 www.wfoconcepts.com

Follow us on all Social Media Platforms!

Remember to share your photos and tag #WFOCONCEPTS to be featured on our page!

