

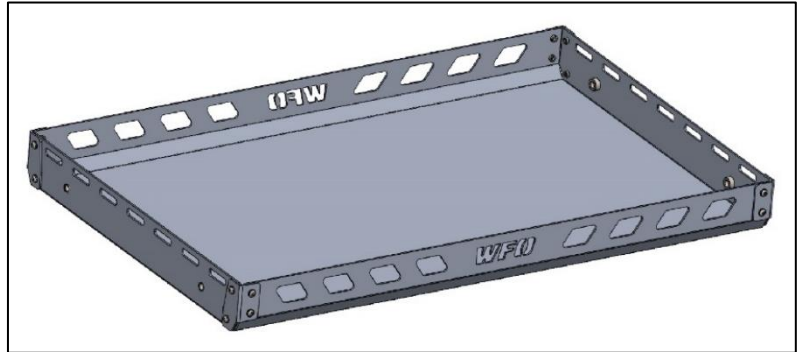


Part #	Description
WFO 1400	40" x 25" Universal Aluminum Basket

10076 Streeter Road Suite #7, Auburn, CA 95602
 Phone: 530.268.9494 www.wfoconcepts.com

WFO 1400

BILL OF MATERIALS		
C-40000-01	Main Basket	Qty. 1
C-40000-02	Side Bolt Cap 1 Of 2	Qty. 2
C-40000-03	Side Bolt Cap 2 of 2	Qty. 2
33-6208	1/4"-20 SS Button Head Bolts	Qty. 16
33-3041	1/4" SS Flat Washers	Qty. 16
TOOLS NEEDED		
5/32" Allen Socket		
3/8" Drive Ratchet		
Anti-Seize		

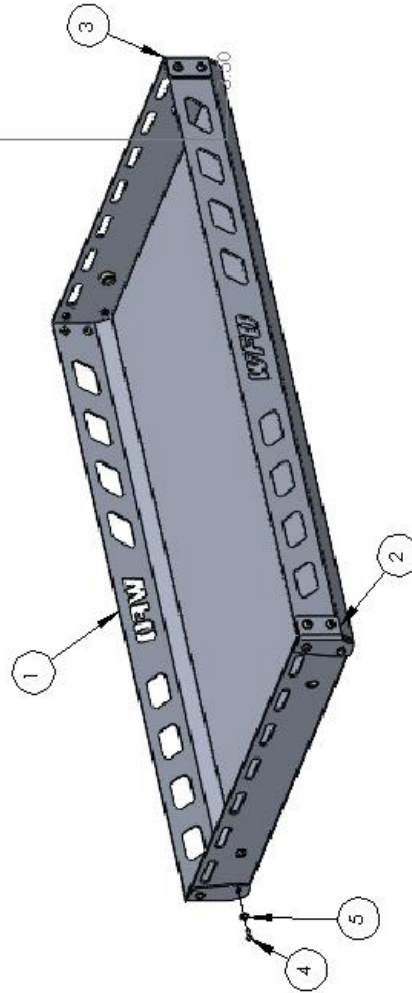
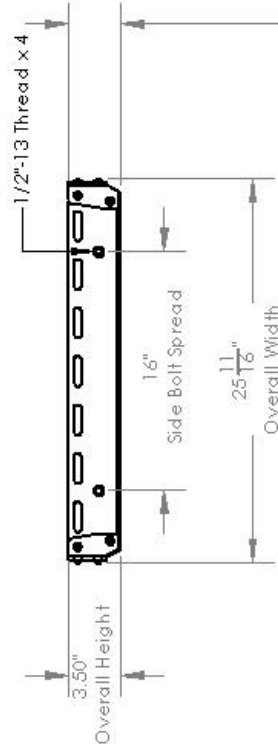
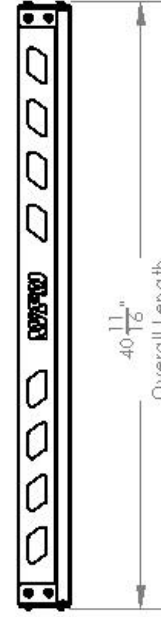
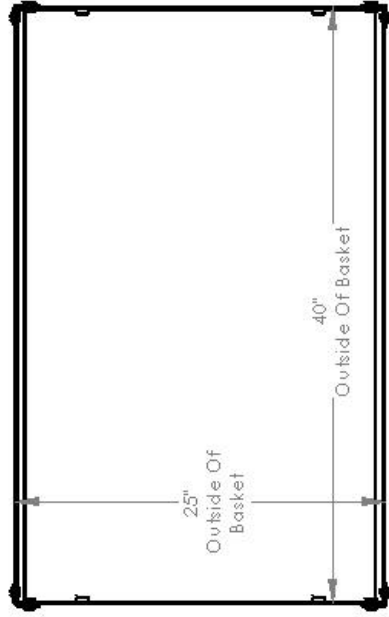


WARNING!
<p>*** Read all instructions thoroughly from start to finish before beginning the job! If these instructions are not properly followed, severe frame, suspension, tire, or body damage may result to the vehicle!</p> <p>*** WFO Concepts recommends that you exercise extreme caution when working under vehicles supported by jack stands.</p> <p>*** WFO Concepts recommends all installation to be performed by a professional shop/service technician. Product failure due to improper installation will not be covered under WFO's warranty policy.</p>

TECH NOTES:
<ul style="list-style-type: none"> - Whenever installing Stainless Steel Hardware it's a good idea to use Anti Seize to preventing galling of the threads. - The corner 1/4"-20 Penn Nuts have a max torque rating of 78 in. lbs. (6.5 ft. lbs.) - The side 1/2"-13 Penn Nuts have a max torque Rating of 692 in. lbs. (57 ft. lbs.)

REVISIONS			
REV.	DESCRIPTION	DATE	APPROVED
A	Part Released	6/28/2022	Kevin K

ITEM NO.	PART NUMBER	DESCRIPTION	QTY.	Rev
1	C-40000-01	Main Basket	1	A
2	C-40000-02	Side Bolt Cap 1 of 2	2	A
3	C-40000-03	Side Bolt Cap 2 of 2	2	A
4	33-6208	1/4"-20 SS Button Head Allen Bolt	16	A
5	33-3041	1/4" SS "AN" Flat Washer	16	A

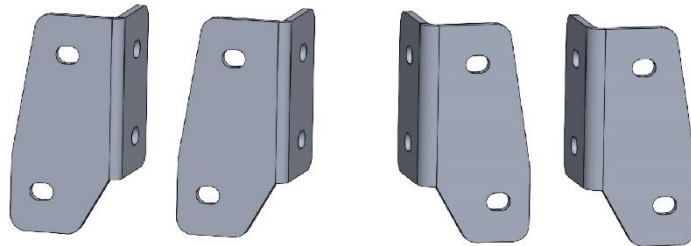


DRAWN BY: KEVIN K	DATE: 6/28/22	MATERIAL: 108-3052 ALUMINUM	10076 Steeler Rd., Suite 7 Auburn, CA 95602 Phone: (530) 268-9494 WWW.WFOCONCEPTS.COM		
DRAWING UPDATED:		FINISH: DA SANDED - RAW			
THE INFORMATION CONTAINED IN THIS DRAWING IS THE SOLE PROPERTY OF WFO CONCEPTS. ANY REPRODUCTION IN PART OR AS A WHOLE WITHOUT THE WRITTEN PERMISSION OF WFO IS PROHIBITED.		TOLERANCES / DIMENSIONS ARE IN INCHES EXCEPT AS NOTED: ANGULAR ±0.1° BEND ±0.3° DEC: 2 PL ±0.01 2 PL ±0.005			
TITLE: Universal 40" x 25" Aluminum Basket		PART #	WFO 1400	REV	A
DO NOT SCALE DRAWING		SHEET 1 OF 1			

ASSEMBLY:

1. Locate the 4 provided Side Bolt Caps. **Fig. A.** There will be 2 left hand side and 2 right hand side caps.

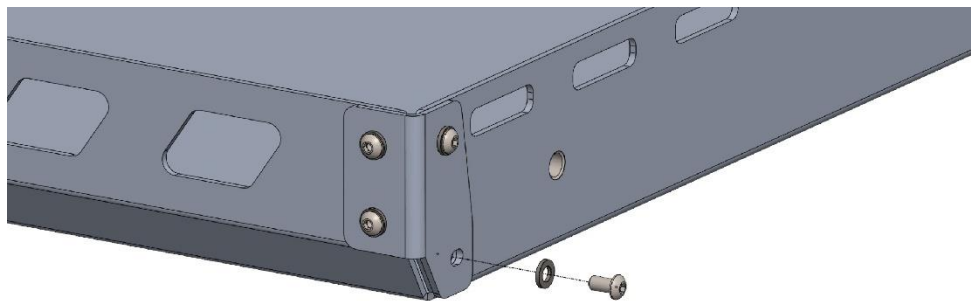
Fig. A



2. Locate the provided $\frac{1}{4}$ "-20 SS Button head allen bolts and $\frac{1}{4}$ " Washers.
3. Lay out the side caps accordingly to the sides that match up the best.
4. Insert bolt through washer, through oval in cap, and into the pressed in Penn nut in the main basket. **Fig. B.** Repeat for all 16 bolts. Using a $\frac{5}{32}$ " allen socket and ratchet, snugly tighten all bolts.

*Note – It's beneficial to add a little anti seize to any Stainless-Steel Hardware to prevent galling of the threads.

Fig. B



5. Once all 4 corners are bolted tight it's good to go and add any side brackets you want.
6. The side 4 Penn Nuts are $\frac{1}{2}$ "-13 thread with a 16" Spread.



10076 Streeter Road Suite #7, Auburn, CA 95602
Phone: 530.268.9494 www.wfoconcepts.com

Follow us on all Social Media Platforms!

Remember to share your photos and tag #WFOCONCEPTS to be featured on our page!

